

STOPDIGGING!



BEAM SCREW SGU

Our beam screws are perfect for supporting frames and joists in a variety of constructions, for example the joists in a garden deck. The screw head has a mounting slot of 95 mm wide to fit most standard dimensions of timber. The screws are available in two thicknesses and five lengths, which makes it possible to maintain a level bead on uneven ground without losing stability. The beam screw shoe has a strong U-profile with five screw holes per side for a secure fastening of joists, studs and other beams. Forget the cumbersome level adjustment of concrete posts, this SGU screw makes leveling beams very easy.

EXAMPLE OF USAGE AREAS



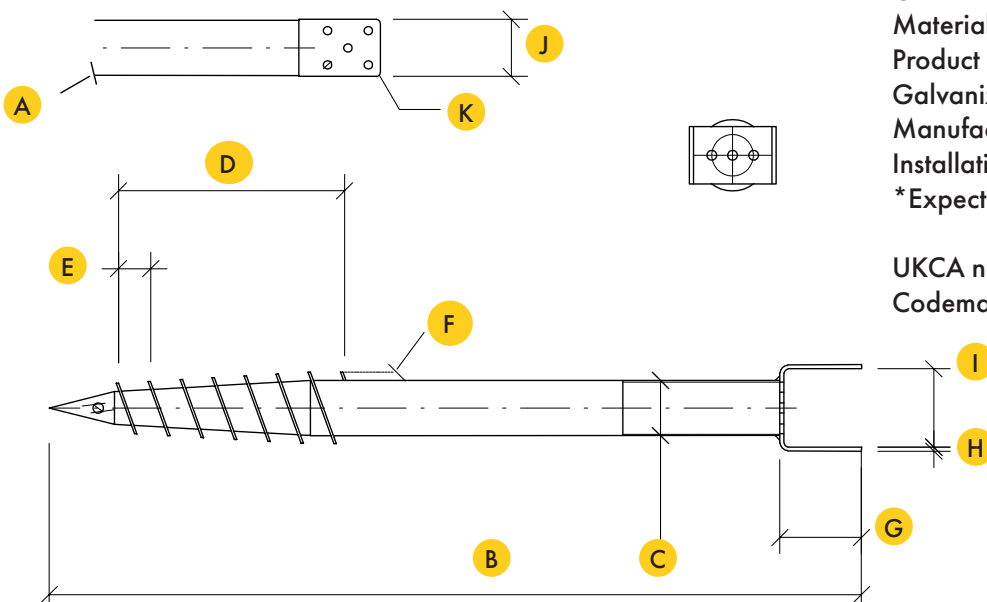
*Terms apply, see product warranty

STOPDIGGING!®



SGU	95x580	95x865	95x1000	95x1200	95x1600	
Art no	10055	1002	1003	1004	1006	
A Screw thickness	2					mm
B Screw length	580	865	1000	1200	1600	mm
C Outer diameter	40	67				mm
D Helix length	280				600	mm
E Helix spacing	40					mm
F Helix height	10					mm
G Height	100					mm
H Thickness	5					mm
I Opening	95					mm
J Width	70					mm
K Hole diameter	11					mm

Compression capacity	2,5	6,0	10,5	12,5	17,5	kN
Tensile capacity	1,7	4,5	5,5	6,5	8,0	kN
Lateral capacity	0,5	2,5	3,5	4,5	7,0	kN



CERTIFICATE

Material	ISO 630 FE 360A
Product	EN 1090
Galvanization	EN 1461
Manufacturing process	ISO 9001:2015
Installation process	ISO 9001:2015
* Expected min. service life	100 years

UKCA no. 2400-CPR-20120001
Codemark no. CMNZ70132



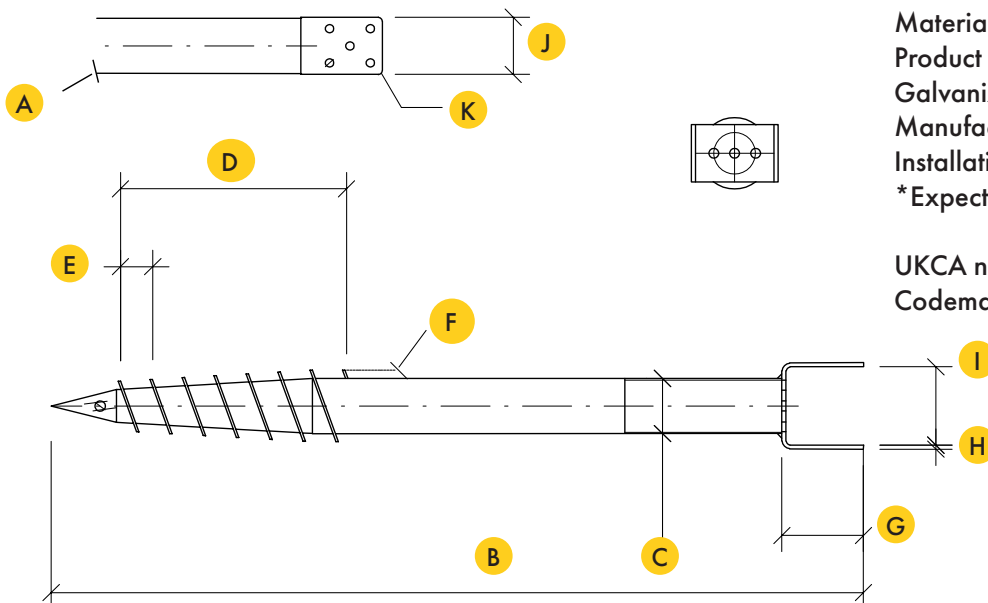
*Terms apply, see product warranty

STOPDIGGING!®



SGU	95x580	95x865	95x1000	95x1200	95x1600	
Art no	10055	1002	1003	1004	1006	
A Screw thickness	0,08					in.
B Screw length	22,8	34,06	39,4	47,2	63	in.
C Outer diameter	1,57	2,64				in.
D Helix length	11				23,6	in.
E Helix spacing	1,57					in.
F Helix height	0,39					in.
G Height	3,94					in.
H Thickness	0,2					in.
I Opening	3,74					in.
J Width	2,76					in.
K Hole diameter	0,43					in.

Compression capacity	254	612	1070	1274	1785	kg
Tensile capacity	173	458	560	663	816	kg
Lateral capacity	51	254	356	458	714	kg



CERTIFICATE

Material	ISO 630 FE 360A
Product	EN 1090
Galvanization	EN 1461
Manufacturing process	ISO 9001:2015
Installation process	ISO 9001:2015
* Expected min. service life	100 years

UKCA no. 2400-CPR-20120001
Codemark no. CMNZ70132



*Terms apply, see product warranty